


COMMUNICATORS

# Interlogix NX-4v2 / NX-6v2 with E16 quick setup

 E16 product image

Short steps to connect the E16 communicator to Interlogix NX-4v2 / NX-6v2 panels, configure E16 for IP reporting, and add the system to Protegus2. Use this together with the full E16 manual for all other settings.

 **CAUTION**

Install and service only by qualified personnel. Disconnect power before wiring. Unauthorized changes void warranty.

## 1. Prerequisites

- E16 communicator with LAN connected and a USB Mini-B cable available for configuration.
- Interlogix NX-4v2 / NX-6v2 panel with keypad access.
- CMS object ID / account number if reporting to CMS.
- Protegus2 account and communicator MAC / Unique ID.

## 2. Quick configuration with *TrikdisConfig* software

1. Download **TrikdisConfig** from [www.trikdis.com](http://www.trikdis.com) and install it.
2. Open the E16 casing with a flat-head screwdriver.

### Cookie consent

We use cookies to measure the effectiveness of our documentation and whether users find what they're searching for. With your consent, you're helping us to make our documentation better.

Google Analytics

Accept

Reject



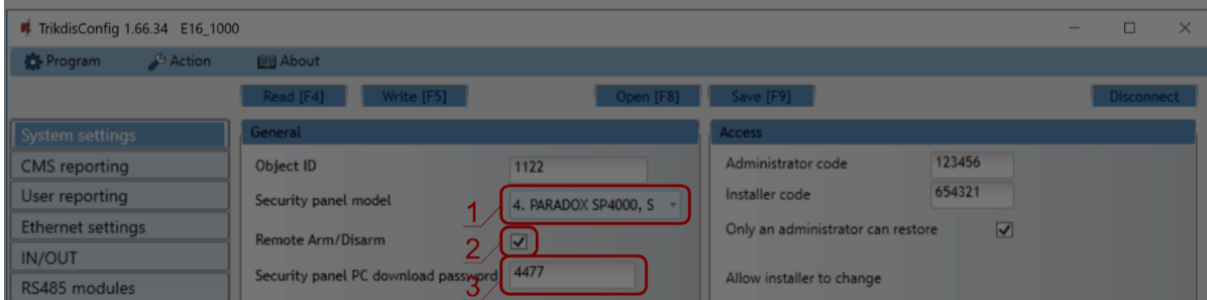
3. Connect E16 to the computer with a USB Mini-B cable.
4. Run **TrikdisConfig**. The software will recognize the communicator and open the configuration window.
5. Click **Read [F4]** to load the current settings. If requested, enter the Administrator or Installer 6-digit code.

Complete the subsection that matches the installation:

- **Protegeus2 app** if the system will be controlled remotely by users.
- **Central Monitoring Station** if the communicator will report to CMS.
- Complete both subsections if the communicator must support both CMS and Protegeus2.

## 2.1 Settings for connection with Protegeus2 app

In "System settings" window:



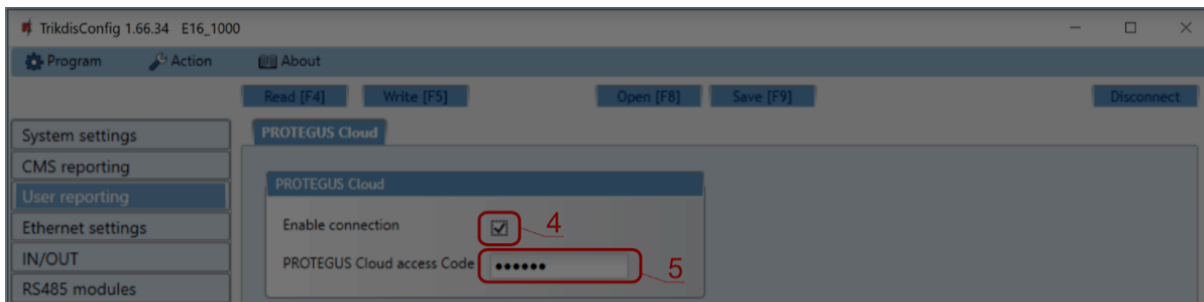
1. Select the **Security panel model** that will be connected to the communicator.
2. Select **Remote Arm/Disarm** if users must control the panel in Protegeus2 with their keypad code.
3. For direct control of Paradox and Texecom panels, enter the **Security panel PC download password**. It must match the password set in the control panel.

### NOTE

## Cookie consent

We use cookies to measure the effectiveness of our documentation and whether users find what they're searching for. With your consent, you're helping us to make our documentation better.

- Google Analytics

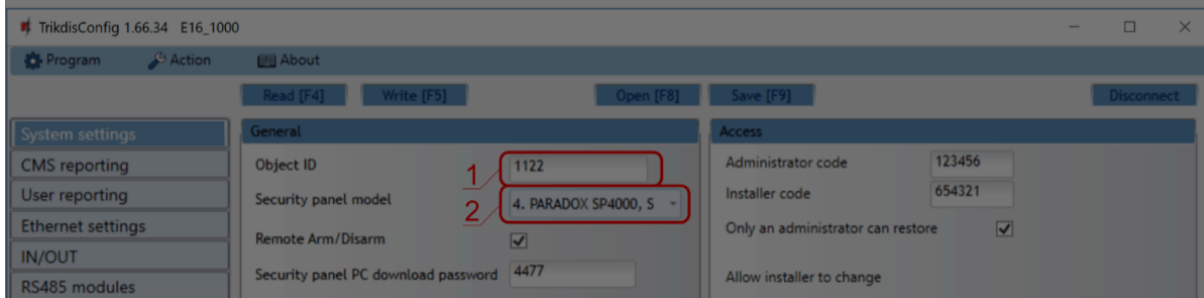


4. Tick **Enable connection** to the Protegus Cloud.
5. Change the **Protegus Cloud access Code** if users should be asked to enter it when adding the system to Protegus2.

After finishing configuration, click **Write [F5]** and disconnect the USB cable.

## 2.2 Settings for connection with Central Monitoring Station

In "System settings" window:



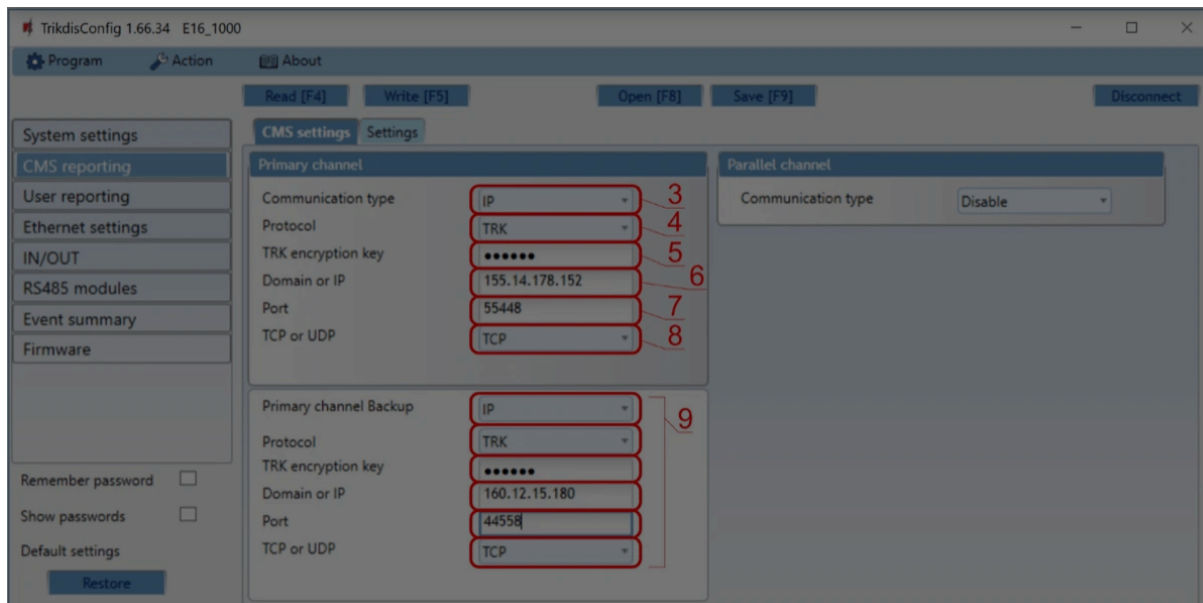
1. Enter the **Object ID** provided by the Central Monitoring Station.
2. Select the **Security panel model** that will be connected to the communicator.

In "CMS reporting" window settings for "Primary channel":

### Cookie consent

We use cookies to measure the effectiveness of our documentation and whether users find what they're searching for. With your consent, you're helping us to make our documentation better.

Google Analytics



3. Set **Communication type** to **IP**.
4. Select the protocol required by the receiver: **TRK**, **DC-09\_2007**, **DC-09\_2012**, or **TL150**.
5. Enter the receiver encryption key if the selected protocol requires it.
6. Enter the receiver **Domain or IP** and **Port**.
7. Select **TCP** or **UDP**.
8. Configure backup and parallel channels if the installation requires redundancy.

#### NOTE

If you select a **DC-09** protocol, also enter the object, line, and receiver numbers in the **Settings** tab of the **CMS reporting** window.

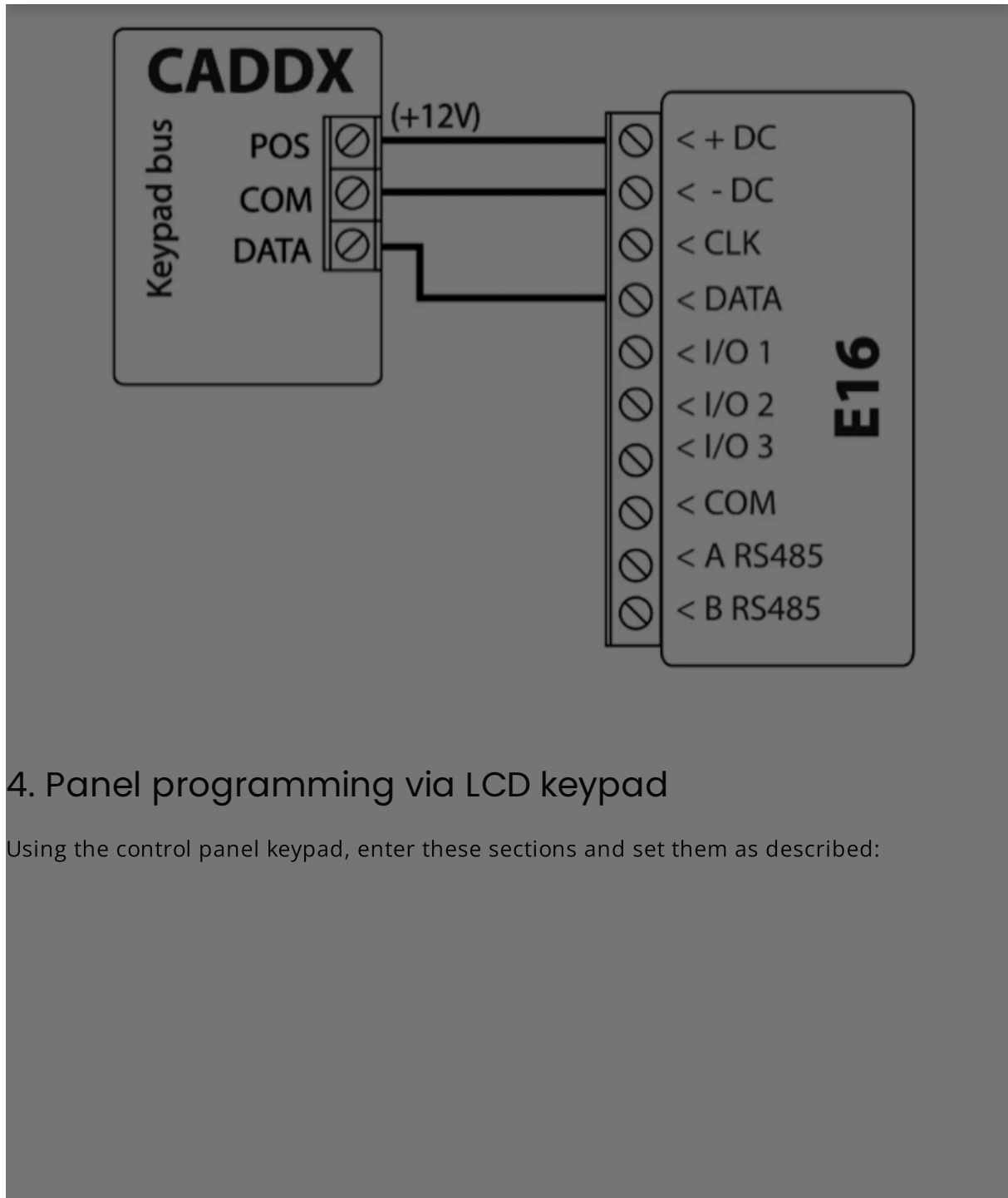
After finishing configuration, click **Write [F5]** and disconnect the USB cable.

## 3. Wiring

### Cookie consent

We use cookies to measure the effectiveness of our documentation and whether users find what they're searching for. With your consent, you're helping us to make our documentation better.

Google Analytics



## 4. Panel programming via LCD keypad

Using the control panel keypad, enter these sections and set them as described:

### Cookie consent

We use cookies to measure the effectiveness of our documentation and whether users find what they're searching for. With your consent, you're helping us to make our documentation better.

Google Analytics



LCD keypad	Keypad entry	Action description
System ready	*89713	Enter programming mode
Enter device address	0#	Go to the main panel programming menu
Enter location	4#	Go to <b>Phone1 events reported</b>
Loc#4 Seg#1	12345678*	Enable all toggle options, then save
Loc#4 Seg#2	12345678*	Enable all toggle options, then save
Enter location	23#	Go to <b>Partition features</b>
Loc#23 Seg#1	**	Move to segment 3
Loc#23 Seg#3	12345678*#	Enable all toggle options, then save
Enter location	37#	Go to <b>Siren and system supervision</b>
Loc#37 Seg#1	**	Move to segment 3
Loc#37 Seg#3	12345678*	Enable all toggle options, then save
Loc#37 Seg#4	12345678*#	Enable all toggle options, then save
Enter location	EXIT EXIT	Exit programming mode

## 5. Panel programming via LED keypad

Use the same locations and values as above:

### Cookie consent

We use cookies to measure the effectiveness of our documentation and whether users find what they're searching for. With your consent, you're helping us to make our documentation better.

Google Analytics



LED keypad state	Keypad entry	Action description
Ready and Power LEDs on	*89713	Enter programming mode
Service LED blinks	0#	Go to the main panel programming menu
Service LED blinks, Armed LED on	4#	Go to <b>Phone1 events reported</b>
All zone LEDs on	12345678*	Enable all toggle options, then save
All zone LEDs on	12345678*	Enable all toggle options, then save
Service LED blinks, Armed LED on	23#	Go to <b>Partition features</b>
Service LED blinks, Ready LED on	**	Move to segment 3
Service LED blinks, Ready LED on	12345678*#	Enable all toggle options, then save
Service LED blinks, Armed LED on	37#	Go to <b>Siren and system supervision</b>
Service LED blinks, Ready LED on	**	Move to segment 3
Service LED blinks, Ready LED on	12345678*	Enable all toggle options, then save
Service LED blinks, Ready LED on	12345678*#	Enable all toggle options, then save
Service LED blinks, Armed LED on	EXIT EXIT	Exit programming mode

## 6. Add system to Protegus2

1. Open Protegus2 and click **Add new system**.
2. Enter the E16 **MAC / Unique ID**.
3. Enter the system name and finish the wizard.
4. If you use keyswitch control instead of direct control, connect I/O 1 to the panel keyswitch zone and configure PGM1 in Protegus2.
5. Wait until the system shows as online.

### Cookie consent

We use cookies to measure the effectiveness of our documentation and whether users find what they're searching for. With your consent, you're helping us to make our documentation better.

Google Analytics